

Your World
In Better Comfort

AIR-COOLED SPLIT SYSTEM DUCT TYPE AIR CONDITIONER



Proudly Filipino-Made.



HITACHI
Air conditioning solutions

Tel: (02) 362-4847 Fax: (02) 362-1769 Service: (02) 362-3842
Tel: (032) 232-6634 Fax: (032) 231-7533 Service: (032) 232-8831

Specifications in this catalog are subject to change without any notice in order that HITACHI may bring the latest innovations to our customers.

RAS-1701



 Hitachi Air Conditioner Philippines



HITACHI
Air conditioning solutions

Flexible Air Conditioning Solution for Virtually Any Requirement

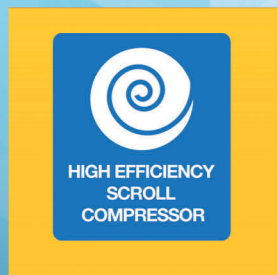
CONVERTIBLE STRUCTURE FOR FLEXIBILITY

By changing the mutual combination of the compartments or by remounting the fan assembly, the unit can be placed vertically or horizontally.



HIGH PERFORMANCE EVAPORATOR FOR HIGHER EFFICIENCY

Equipped with a multi-blade centrifugal fan, it creates high static pressure and smooth airflow while having minimal power consumption. It also features an adjustable motor pulley that covers a wide range of fan speeds.



HIGH EFFICIENCY SCROLL COMPRESSOR

Hitachi's patented scroll compressor generates quick cooling, less vibrations and lower energy for virtually uninterrupted cooling operation.

OTHER FEATURES:

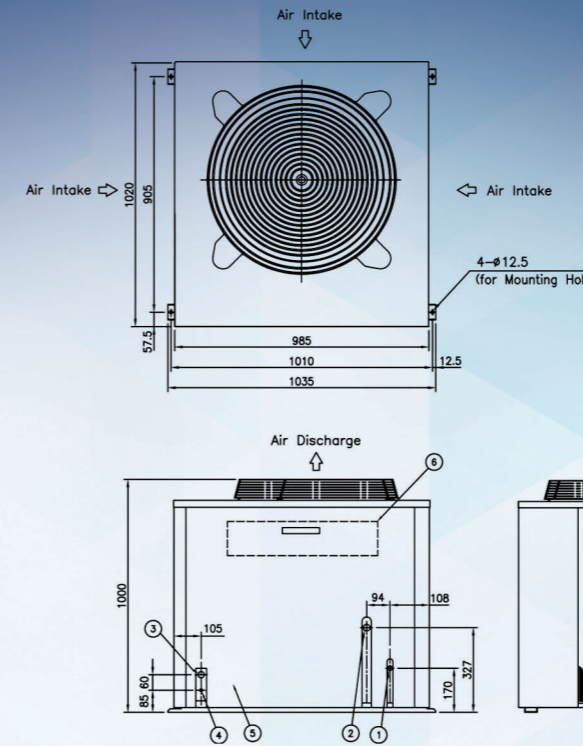
EVAPORATOR FAN BEARINGS CAN EASILY BE REMOVED WITHOUT REMOVING THE FAN

HIGH PERFORMANCE AIR FILTER AND FILTER BOX ARE OPTIONAL

UNIT DIMENSIONS

CONDENSING UNITS (CONTINUED)

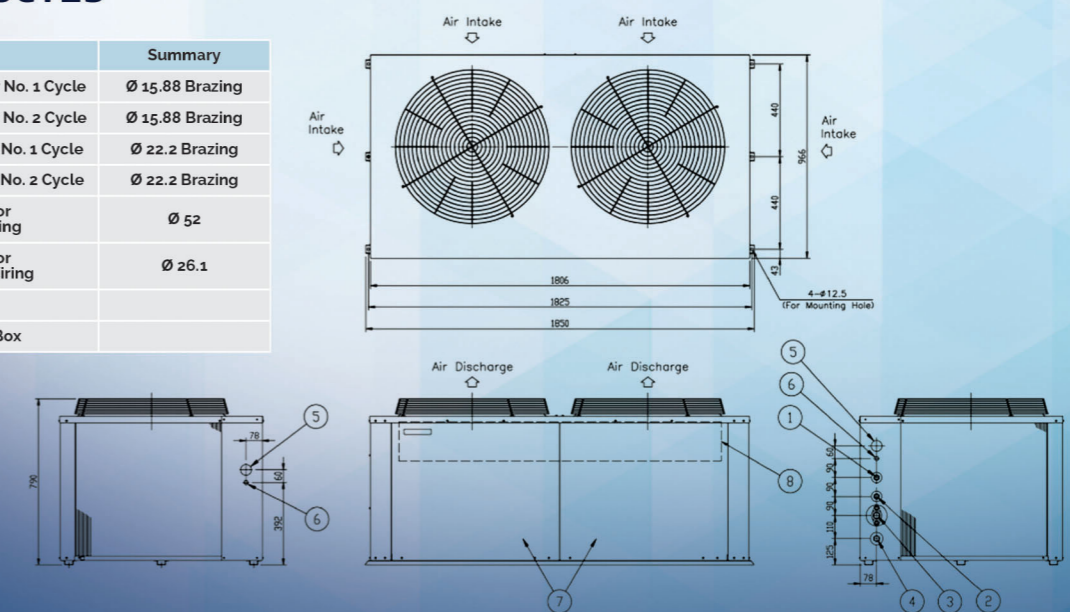
RAS-10CT2S



Mark	Name	Summary
1	Liquid Refrigerant Piping Connection	Ø 15.88 Flange Connection
2	Gas Refrigerant Piping Connection	Ø 22.2 Flange Connection
3	Hole for Power Supply Wiring	Ø 52
4	Hole for Operation Supply Wiring	Ø 20
5	Service Panel	
6	Magnetic Switch Box	

RAS-15CT2S

Mark	Name	Summary
1	Refrigerant Liquid Inlet for No. 1 Cycle	Ø 15.88 Brazing
2	Refrigerant Liquid Inlet for No. 2 Cycle	Ø 15.88 Brazing
3	Refrigerant Gas Outlet for No. 1 Cycle	Ø 22.2 Brazing
4	Refrigerant Gas Outlet for No. 2 Cycle	Ø 22.2 Brazing
5	Knockout Hole for Power Supply Wiring	Ø 52
6	Knockout Hole for Operation Circuit Wiring	Ø 26.1
7	Service Panel	
8	Magnetic Switch Box	



Unit General Data (continued)

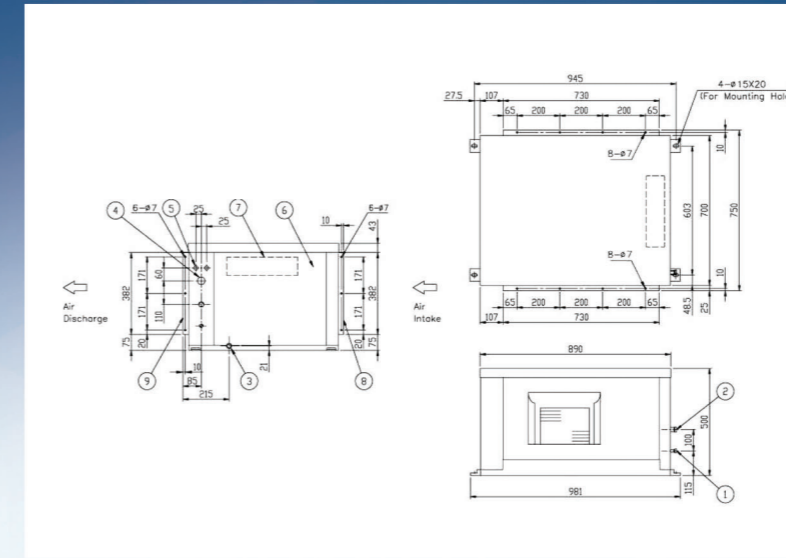
COOLING UNIT

Model		RAS-5U2S	RAS-8U2S	RAS-10U2S	RAS-15U2S	
Cabinet		Galvanized Steel Plate			Synthetic Resin Painted on Steel Plate	
Color		----			Beige	
MUNSELL Code		----			2.5Y 8/2	
Outer Dimension	Height	mm	500	500	550	1,200 + 25
		in	19 11/16	19 11/16	21 5/8	47 1/4 + 1
	Width	mm	750	750	1,400	1,400
in		29 1/2	29 1/2	55 1/8	55 1/8	
Depth	mm	890	1,280	1,100	625	
	in	35	50 3/8	43 5/16	24 5/8	
Net Weight		kg	75	80	140	180
		lbs	165	176	309	396
Refrigerant		R-22 (Charged for Corrosion-Resistance)				
Flow Control Device		Capillary Tube			Thermal Expansion Valve (1/Circuit)	
Number of Circuits		1	1	1	2	
Evaporator Fan		Multi-Blade Centrifugal Fan (Double Suction)				
Nominal Air Flow	m ³ /min	50	69	90	130	
	m ³ /s	0.83	1.15	1.5	2.17	
	L/s	830	1,150	1,500	2,170	
	cfm	1,770	2,440	3,180	4,590	
Motor	kW	0.55	0.75	1.5	2.2	
	hp	3/4	1	2	3	
Quantity		1	1	1	1	
Evaporator		Multi-Pass Cross-Finned Tube				
Connections		Brazing Connection				
Liquid Inlet	Size (O.D.)	mm	12.7	12.7	15.88	15.88
	Quantity	in	1/2	1/2	5/8	5/8
Gas Outlet	Size (O.D.)	mm	19.05	22.2	28.6	22.2
	Quantity	in	3/4	7/8	1 1/8	7/8
Condensate Drain		Female Piping Thread Screw				
Size		FPT	3/4	3/4	1	3/4
Quantity			1	1	1	2
Wiring Hole	Size	mm	30.0	30.0	35.0	26
	Quantity	in	1 3/16	1 3/16	1 3/8	1
Shipping Weight		kg	110	120	190	260
		lbs	243	265	419	573
Approximate Packing List	Height	mm	662	662	696	1,367
		in	26 1/6	26 1/6	27 3/8	53 13/16
	Width	mm	873	873	1,632	1,544
in		34 3/8	34 3/8	64 1/4	60 13/16	
Depth	mm	1,055	1,445	1,320	724	
	in	41 1/2	56 7/8	51 15/16	28 1/2	
Measurements		m ³	0.61	0.84	1.5	1.53

Notes:
 1. Capacities are gross capacities which do not include a deduction for evaporator fan motor heat.
 2. The nominal cooling capacity is based on the combined capacity of the HITACHI Standard Split System and is based on JIS standard B8616-1999.
 Temperature Conditions: Evaporator Air Inlet Temperature 27°C DB (80°F DB) Condenser Air Inlet Temperature 35°C DB (95°F DB)
 19°C WB (66°F WB) 24°C WB (75°F WB)
 3. The standard combination of the HITACHI Split System Air Conditioners is as follows:
 Cooling Unit Condensing Unit Standard Power Supply
 RAS-5U2S + RAS-5CT2S Main (AC3) Control (AC1)
 RAS-8U2S + RAS-8CT2S 220V 60Hz 220V 60Hz
 RAS-10U2S + RAS-10CT2S
 RAS-15U2S + RAS-15CT2S

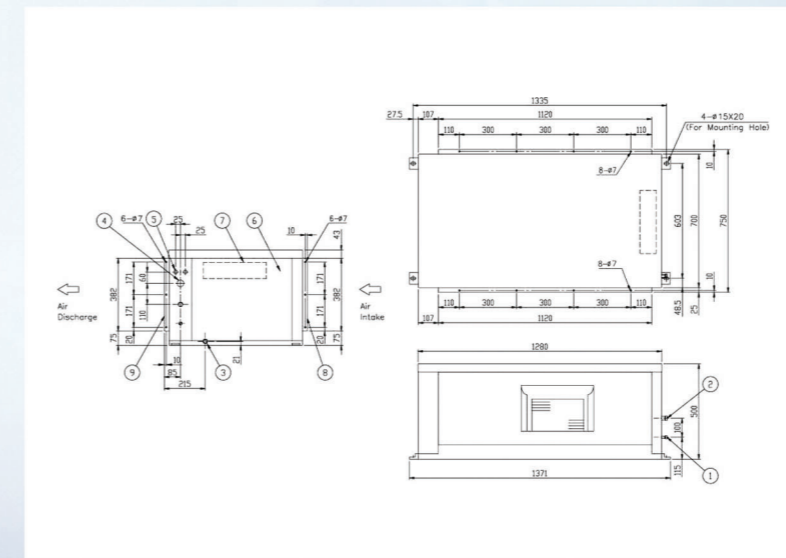
Unit Dimensions

COOLING UNITS



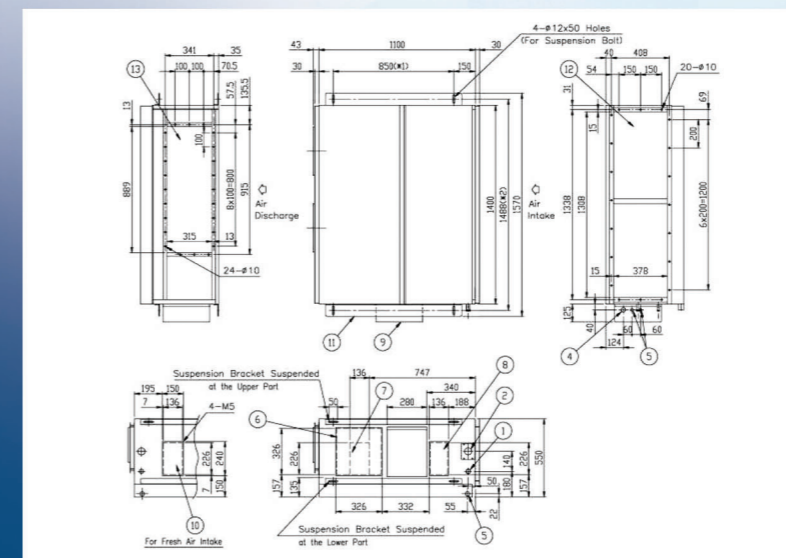
RAS-5U2S

Mark	Name	Summary
1	Liquid Refrigerant Piping Connection	Ø 12.7 Brazing
2	Gas Refrigerant Piping Connection	Ø 19.05 Brazing
3	Condensate Drain Connection	FPT 3/4
4	Hole for Power Supply Wiring	Ø 30
5	Hole Operation Circuit Wiring	Ø 20
6	Service Panel	Both Sides
7	Magnetic Switch Box	
8	Air Intake	Duct Connection
9	Air Discharge	Duct Connection



RAS-8U2S

Mark	Name	Summary
1	Liquid Refrigerant Piping Connection	Ø 12.7 Brazing
2	Gas Refrigerant Piping Connection	Ø 19.05 Brazing
3	Condensate Drain Connection	FPT 3/4
4	Hole for Power Supply Wiring	Ø 30
5	Hole Operation Circuit Wiring	Ø 20
6	Service Panel	Both Sides
7	Magnetic Switch Box	
8	Air Intake	Duct Connection
9	Air Discharge	Duct Connection



RAS-10U2S

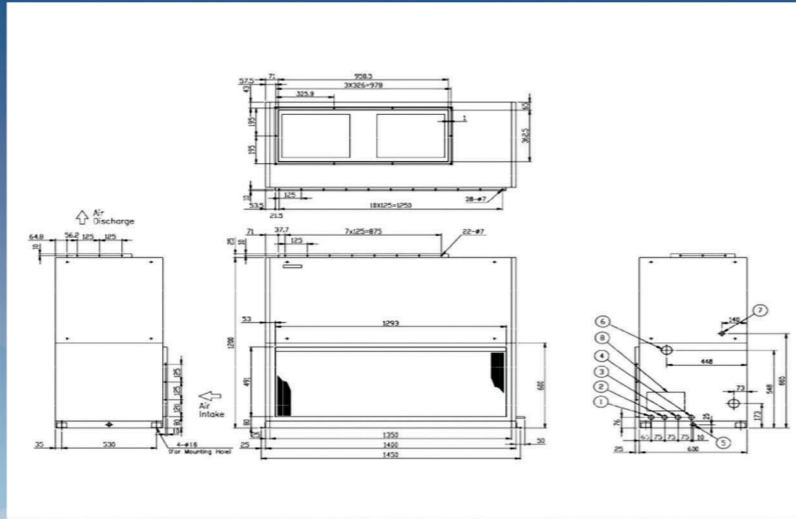
Mark	Name	Summary
1	Liquid Refrigerant Piping Connection	Ø 15.88 Brazing
2	Gas Refrigerant Piping Connection	Ø 28.57 Brazing
3	Condensate Drain Connection	FPT 1
4	Hole for Power Supply Wiring	Ø 35
5	Hole for Operation Circuit Wiring	Ø 20
6	Service Panel	Front Side Only
7	Service Panel	Rear Side Only
8	Service Panel	Both Sides
9	Magnetic Switch Box	
10	Fresh Air Intake	
11	Suspension Bracket	
12	Air Intake	Duct Connection
13	Air Discharge	Duct Connection

UNIT DIMENSIONS

COOLING UNITS (CONTINUED)

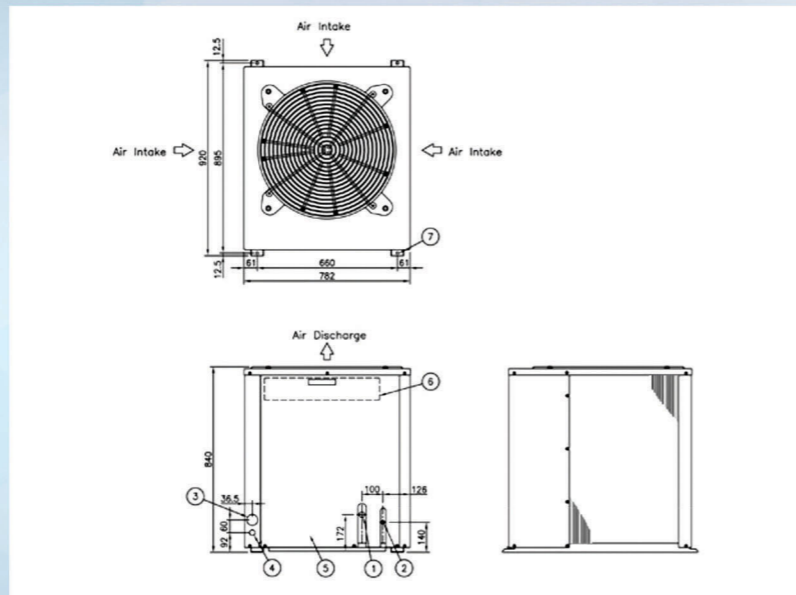
RAS-15U2S

Mark	Name	Summary
1	Refrigerant Liquid Inlet for No. 1 Cycle	Ø 15.88 Brazing
2	Refrigerant Liquid Inlet for No. 2 Cycle	Ø 15.88 Brazing
3	Refrigerant Gas Outlet for No. 1 Cycle	Ø 22 Brazing
4	Refrigerant Gas Outlet for No. 2 Cycle	Ø 22 Brazing
5	Condensate Drain	FPT 3/4 Both Sides
6	Hole for Heater	Ø 60
7	Hole for Power Supply	Ø 26
8	Service Panel for Expansion Valve	



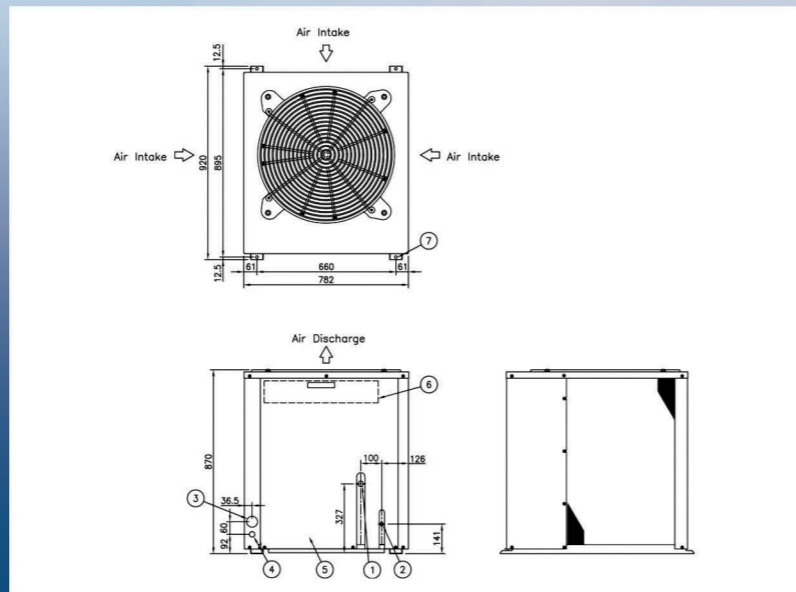
RAS-5CT2S

Mark	Name	Summary
1	Refrigerant Gas Line	Ø 19.05 Flange Connection
2	Refrigerant Liquid Line	Ø 12.7 Flange Connection
3	Connection Hole for Power Supply Wiring	Ø 52 (Knockout Hole)
4	Connection Hole for Operation Circuit Wiring	Ø 26.1 (Knockout Hole)
5	Service Panel	
6	Magnetic Switch Box	
7	Mounting Hole	4-Ø 12.5



RAS-8CT2S

Mark	Name	Summary
1	Refrigerant Gas Line	Ø 22.2 Flange Connection
2	Refrigerant Liquid Line	Ø 12.7 Flange Connection
3	Connection Hole for Power Supply Wiring	Ø 52 (Knockout Hole)
4	Connection Hole for Operation Circuit Wiring	Ø 26.1 (Knockout Hole)
5	Service Panel	
6	Magnetic Switch Box	
7	Mounting Hole	4-Ø 12.5



Unit General Data

COOLING CAPACITY ACCORDING TO UNIT COMBINATION

Model	Cooling Unit		RAS-5U2S	RAS-8U2S	RAS-10U2S	RAS-15U2S
	Condensing Unit		RAS-5CT2S	RAS-8CT2S	RAS-10CT2S	RAS-15CT2S
Nominal Cooling Capacity ¹	60Hz	kcal/h	12,900	19,500	27,300	40,500
		W	15,100	22,700	31,800	47,200
		Btu/h	51,300	77,400	108,300	160,900
Cooling Capacity ¹	60Hz	kcal/h	11,600	17,400	24,300	36,200
		W	13,600	20,200	28,300	42,200
		Btu/h	46,300	69,000	96,400	143,800

CONDENSING UNIT

Model			RAS-5CT2S	RAS-8CT2S	RAS-10CT2S	RAS-15CT2S
Capacity Control		%	100, 0	100, 0	100, 0	100, 50, 0
Cabinet			Synthetic Resin Painted Galvanized Steel Plates			
Color			Beige			
MUNSELL Code			2.5Y 8/2			
Outer Dimension	Height	mm	840	870	920	780
		in	33 1/16	34 1/4	36 1/4	30 11/16
	Width	mm	782	782	985	1,806
		in	30 13/16	30 13/16	38 3/4	71
	Depth	mm	862	862	1,020	966
		in	33 15/16	33 15/16	40 3/16	38 1/32
Net Weight		kg	130	185	220	400
		lbs	287	408	485	881
Refrigerant			R-22 (Charged for Corrosion-Resistance)			
Number of Circuits			1	1	1	2
Compressor	Type		Hermetic Scroll			
	Model		503DH	750EL	1000EL	750EL
	Quantity		1	1	1	2
Condenser			Multi-Pass Cross-Finned Tube			
Condenser Fan	Motor (60Hz)	kW	0.3	0.25	0.4	0.4
		hp	2/5	1/3	1/2	1/2
	Quantity		1	1	1	1
Connections			With Flare Nut or Companion Flange for Field Piping			
Gas Inlet	Size	mm	19.05	22.2	28.6	22.2
		in	3/4	7/8	1 1/8	7/8
	Type		Flare	Flange		
Quantity			1	1	1	2
Liquid Outlet	Size	mm	12.7	12.7	15.88	15.88
		in	1/2	1/2	5/8	5/8
	Type		Flare			
Quantity			1	1	1	2
Wiring Hole	Main Power	mm	52*	52*	52*	52*
		in	2 1/16	2 1/16	2 1/16	2 1/16
	Control	mm	26.1*	26.1*	20	26.1*
in		1 1/32	1 1/32	13/16	1 1/32	
Shipping Weight		kg	160	215	255	450
		lbs	353	474	562	991
Approximate Packing List	Height	mm	1,009	1,039	1,065	960
		in	39 3/4	40 7/8	41 15/16	37 13/16
	Width	mm	922	922	1,120	1,925
		in	36 5/16	36 5/16	44 1/8	75 13/16
	Depth	mm	1,040	1,040	1,150	1,055
		in	40 15/16	40 15/16	45 1/4	41 9/16
Measurements		m ³	0.97	0.99	1.37	1.95

*Knockout Hole